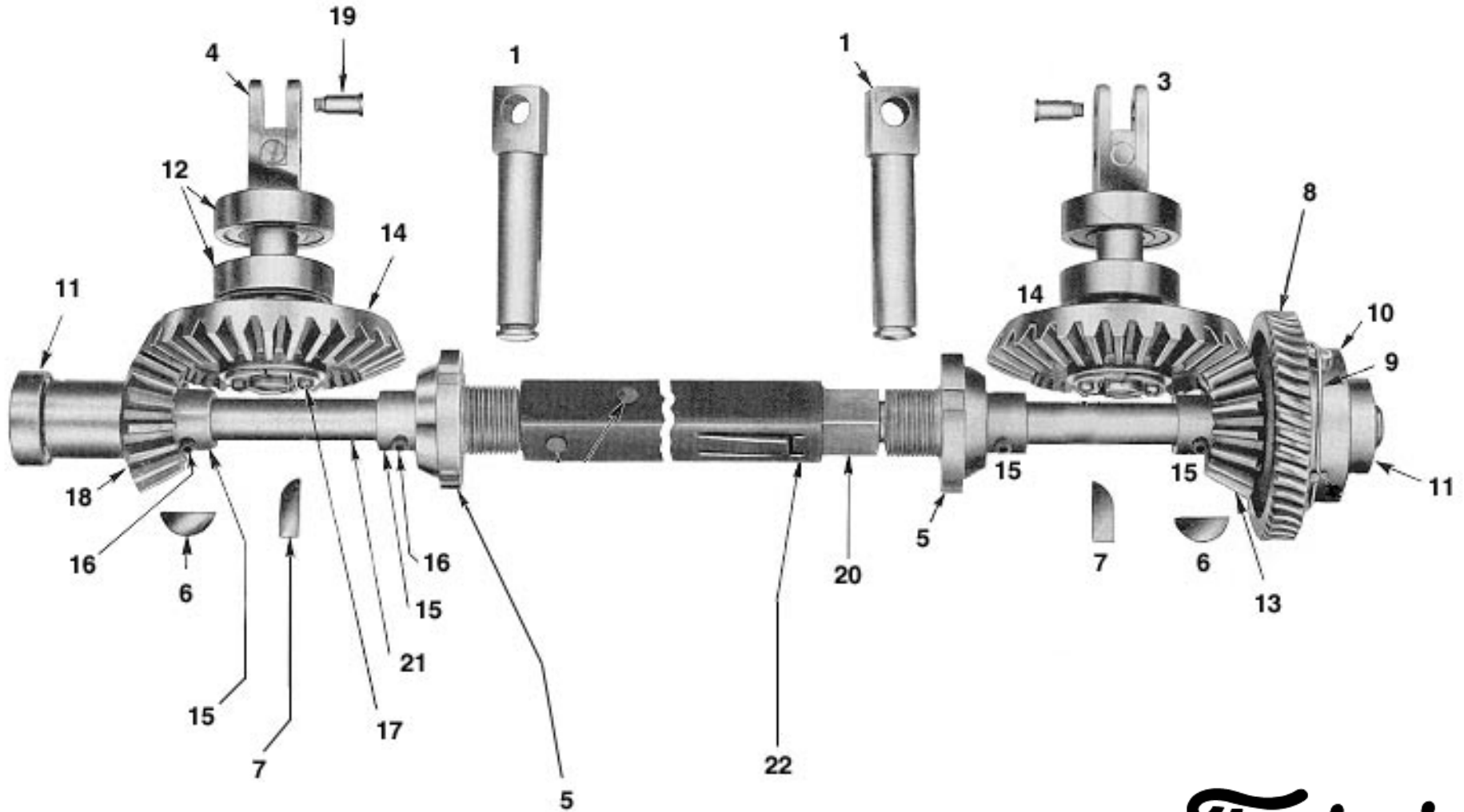




# FRIGID FLUID CO.

## Transmission Shaft Assembly for Lowering Device



*Frigid*<sup>®</sup>

## Transmission Parts

No.	Imperial Item #	Master Item #	Description
1	4-TRN162CHI 4-TRN162CTI	4-TRN162CHM 4-TRN162CTM	SHORTLINK, HEAD END, CEMETERY MODEL SHORTLINK, TAIL END, CEMETERY MODEL
3	4-TRN62FHI	4-TRN62FHM	SHORTLINK, A HEAD, FUNERAL DIRECTOR MODEL
4	4-TRN62FHIB 4-TRN62FTI	4-HTB62FHMB 4-HTB62FTM	SHORTLINK, B HEAD, FUNERAL DIRECTOR MODEL SHORTLINK, C HEAD, FUNERAL DIRECTOR MODEL
	4-TRN62FTID	4-TRN62FTMD	SHORTLINK, D HEAD, FUNERAL DIRECTOR MODEL
5	4-TRN164 4-TRN302-1-I	4-TRN164 4-TRN302-M-I	TRANSMISSION SHAFT BEARING HOUSING BEARING FOR TRANSMISSION SHAFT BEARING HOUSING
6	4-TRN241I	4-TRN241M	WOODRUFF KEY USED ON PINION GEAR & BEVEL GEAR
7	N/A	4-TRN242M	STRAIGHT KEY USED ON BEVEL GEAR, MASTER ONLY
8	4-TRN27I	4-TRN27M	BRONZE WORM GEAR WITH RATCHET SPRING & PINS
9	4-TRN28	4-TRN28	BRONZE WORM GEAR RATCHET SPRING
10	4-TRN30	4-TRN30	BRONZE WORM GEAR RATCHET PINS (PAIR)
11	4-TRN302-1-I	4-TRN303M	BEARING FOR TRANSMISSION SHAFT
12	4-TRN302-M-I	4-TRN304M	BEARING FOR SHORTLINKS
13	4-TRN31I	4-TRN38M	PINION GEAR FOR A & B HEADS (POCKET MILLED IN BOTH)
14	4-TRN33I	4-TRN33M	BEVEL GEAR FOR A & B HEADS
15	4-TRN36I	4-TRN36M	CONNECTING ROD COLLAR FOR A & B HEADS
	4-TRN36I	4-HTB98M	CONNECTING ROD COLLAR FOR C & D HEADS
16	4-TRN37	4-TRN37M	TRANSMISSION SHAFT COLLAR SET SCREW
17	4-TRN244	4-TRN244	E-RING USED ON BEVEL GEAR
18	4-TRN31I	4-TRN38M	PINION GEAR FOR A & B HEADS (POCKET MILLED IN BOTH)
19	4-TRN63	4-TRN63	SHORT LINK SCREW, FUNERAL DIRECTOR MODEL
20	4-TRN67I	4-TRN67M	TRANSMISSION SHAFT FOR A HEAD
21	4-TRN68I	4-TRN68M	TRANSMISSION SHAFT FOR B HEAD
22	4-TRN69I	4-TRN69M	TRANSMISSION SHAFT TUBING

