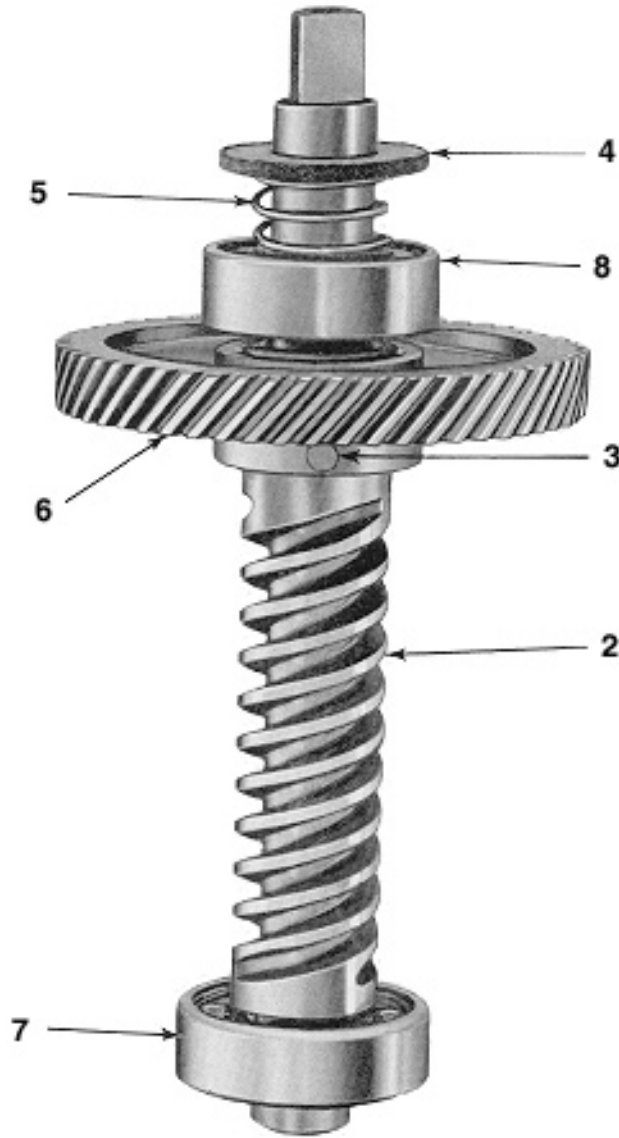




FRIGID FLUID CO.

Worm Shaft Assembly



Worm Shaft Parts

No.	Imperial Item #	Master Item #	Description
1	4-WRM22/26I	4-WRM22/26M	WORM GEAR AND HELICAL GEAR ASSEMBLY
2	4-WRM22IR	4-WRM22MR	WORM GEAR ONLY
3	4-WRM23	4-WRM23	WORM SHAFT PIN
4	4-WRM24	4-WRM24	WORM SHAFT WASHER (SAND PROTECTOR)
5	4-WRM25	4-WRM25	WORM SHAFT SPRING (SAND PROTECTOR)
6	4-WRM26	4-WRM26	HELICAL GEAR WITH PIN
7	4-WRM300	4-WRM300	BALL BEARING FOR BOTTOM OF WORM
8	4-WRM301	4-WRM301	BALL BEARING FOR TOP OF WORM